



# NAPA Tech TIPS

SUPPORTING TODAY'S PROFESSIONAL TECHNICIAN

## Diagonal Split Bleeding Sequence

**Application:**

FWD vehicles with diagonal split brake systems.

**Problem:**

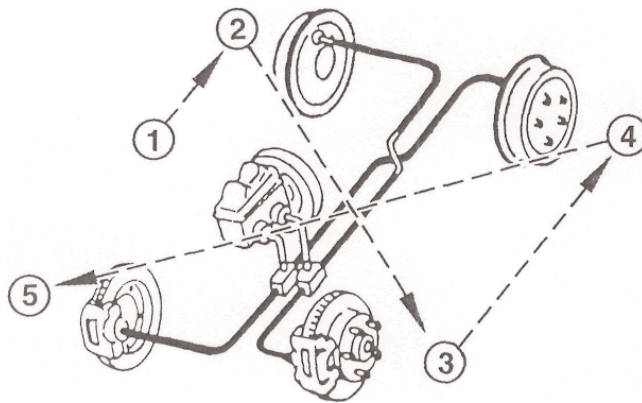
Brake system won't bleed, uneven pad wear, low brake pedal, or warning lights that won't go out.

**Cause:**

Improper brake bleeding sequence.

**Solution:**

Brake systems on most FWD vehicles have been redesigned to insure adequate stopping power in the event of partial system failure. To ensure proper system performance these diagonal split systems require a special bleeding sequence, usually RR, LF, LR, RF. Refer to manufacture's bleeding sequence for your vehicle.

**Note:**

When replacing brake components, always flush entire brake system with approved brake fluid from a sealed container.