

Date: January 15, 2013

Subject: Rear Wheel Bearing Failure

Vehicles: 2000-2008 Ford Focus with Drum Brakes

Concern: Wheel bearing failures on this platform are common. There are two causes for the repetitive failure of the bearings; the most likely would be a damaged or out of round spindle. **Any scoring of the spindle would require replacement.** Also, be sure to measure the spindle surface where the bearings ride for any out of round condition. **Any out of round condition would require replacement of the spindle.** Secondly, if the correct installation procedure is not followed, premature bearing failure is imminent. Below is the Ford procedure for hub replacement – please note step #2 and the torque specification.

1. **CAUTION:** Avoid any impact on the wheel speed sensor ring.

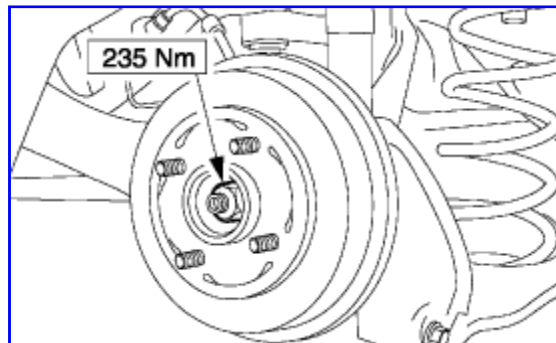
CAUTION: Make sure the wheel speed sensor ring is clean.

CAUTION: Avoid any contact between the wheel speed sensor ring and a magnetic surface.

CAUTION: The wheel hub retaining nut can be re-used four times, mark the wheel hub retaining nut.

NOTE: Do not fully tighten the wheel hub retaining nut at this stage.

Install the wheel hub.



2. **CAUTION:** Rotate the brake drum 10 times in the opposite direction when tightening the wheel hub retaining nut to prevent damage to the bearing.

Tighten the wheel hub retaining nut to 235 Nm/173 Foot lbs.

3. Apply the parking brake.
4. Install the wheel and tire.