



# NAPA Tech TIPS

SUPPORTING TODAY'S PROFESSIONAL TECHNICIAN



## Failed Booster Seal Causes Master Cylinder Leaks

### Application:

Vehicles equipped with power brake booster assemblies.

### Problem:

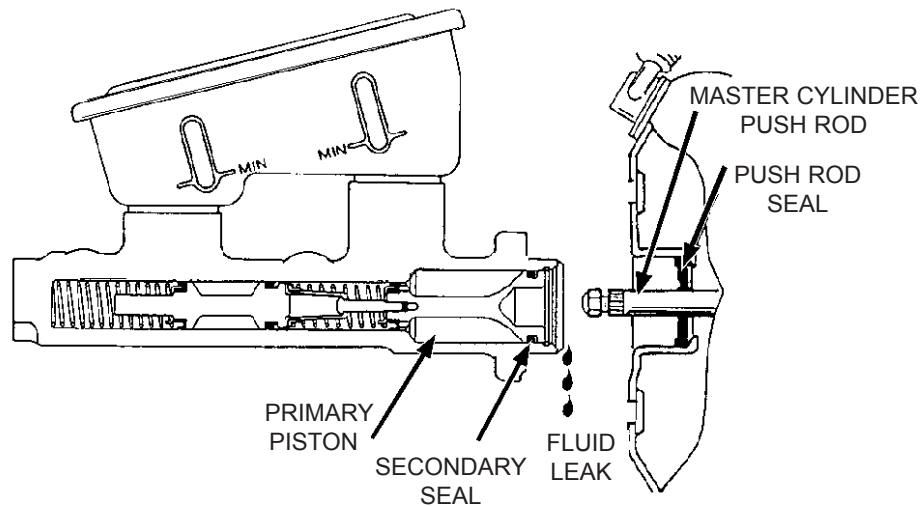
Chronic master cylinder failure due to fluid leaking past secondary seal in the master cylinder bore.

### Cause:

A defective master cylinder pushrod seal in the power brake booster allowing vacuum to draw fluid past secondary seal of the master cylinder.

### Solution:

Replace both master cylinder and power brake unit.



### Note:

When replacing brake components, always flush entire brake system with approved brake fluid from a sealed container.