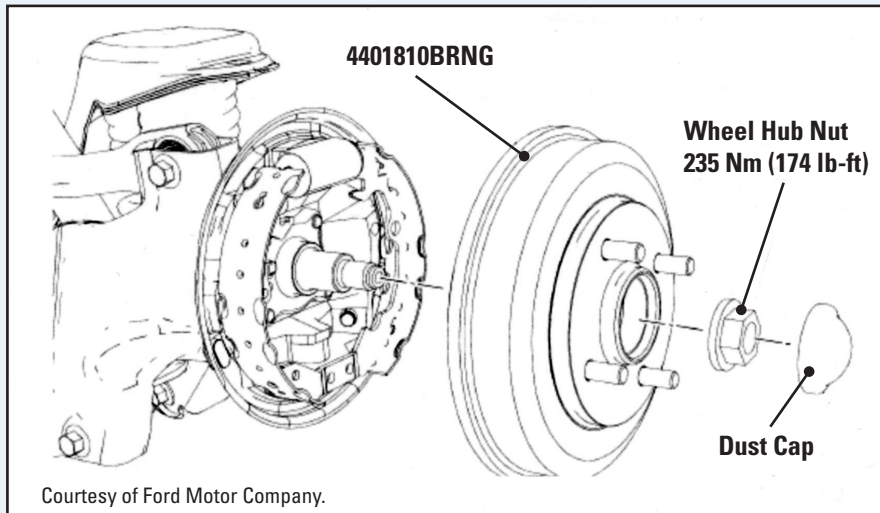


TECH FILES

Bulletin

4401810BRNG REMOVAL & INSTALLATION INSTRUCTIONS

November 2011



Removal:

1. With the vehicle in NEUTRAL, position it on a hoist.
2. Remove and discard the dust cap.

Caution: Do not use power tools to remove the wheel hub nut.

3. With the weight of the vehicle on the wheel and tire assembly, loosen the wheel hub nut.
4. Raise vehicle.
5. Remove and discard the wheel hub nut and remove the brake drum and hub assembly.

Installation:

NOTE: Do not fully tighten the wheel hub retaining nut at this time.

1. Position the brake drum and wheel hub assembly and install a new wheel hub nut.
 - Tighten until snug.

Caution: Rotate the brake drum 10 times in the opposite direction when tightening the wheel hub nut to prevent damage to the bearing.

2. Tighten the wheel hub retaining nut while rotating the brake drum in the opposite direction.
 - Tighten to 235 Nm (174 lb-ft).
3. Install a new dust cap.

